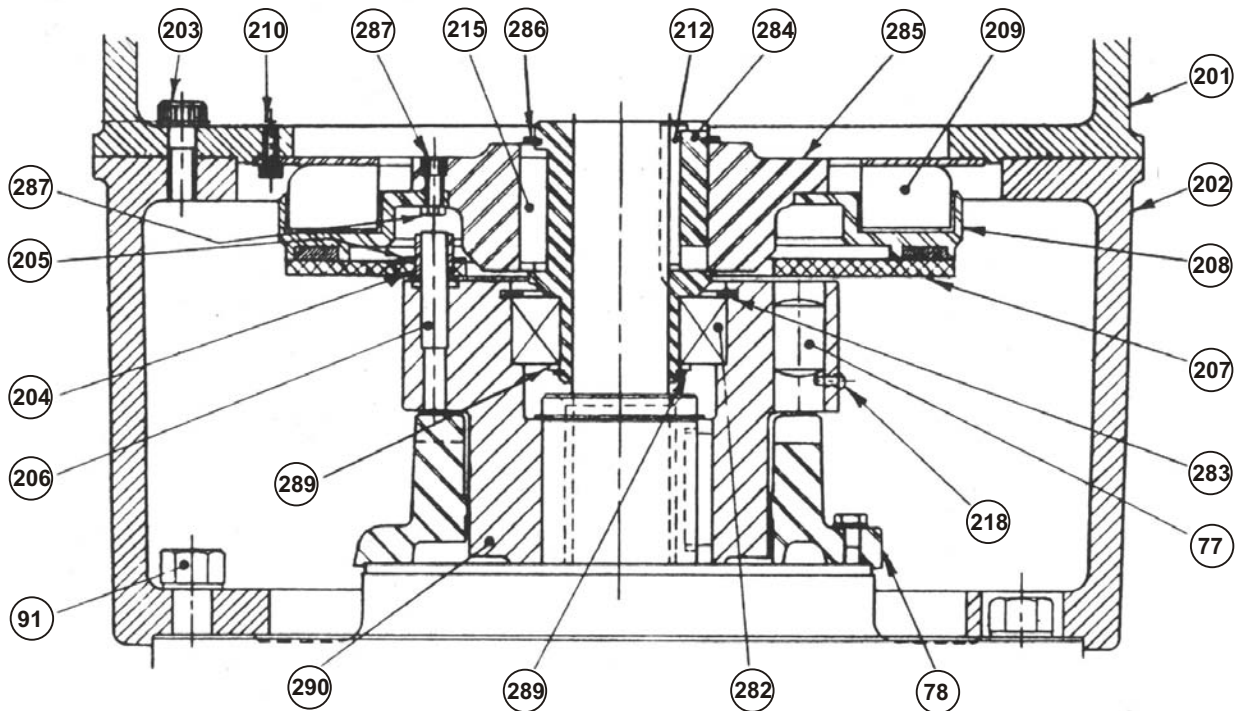


REDI-TORQUE SUB ASSEMBLY



*Drive Plate (207) Shown Engaged - Gap Should Approximately be 3/32 When Disengaged

REDI-TORQ SUB ASSEMBLY

N o .	Part Name	N o .	Part Name
77	Ratchet Pins	212	Gib Key
78	Thrust Bearing Cover	215	Rotor Hub Key
91	Capscrew	218	Fil. Hd. Screws
201	Upper Motor Stand	282	Steady Bearing
202	Lower Motor Stand	283	Snap Ring
203	Socket Head Capscrew	284	Rotor Bushing
204	Drive Pin Bushings	285	Rotor Hub
205	Retainer Rings	286	Snap Ring
206	Drive Pins	287	Socket Head Capscrew
207	Drive Plate	287N	Flexloc Nuts
208	Rotor	289	Snap Ring
209	Field	289W	Snap Ring Washer
210	Socket Head Capscrew	290	Lower Coupling